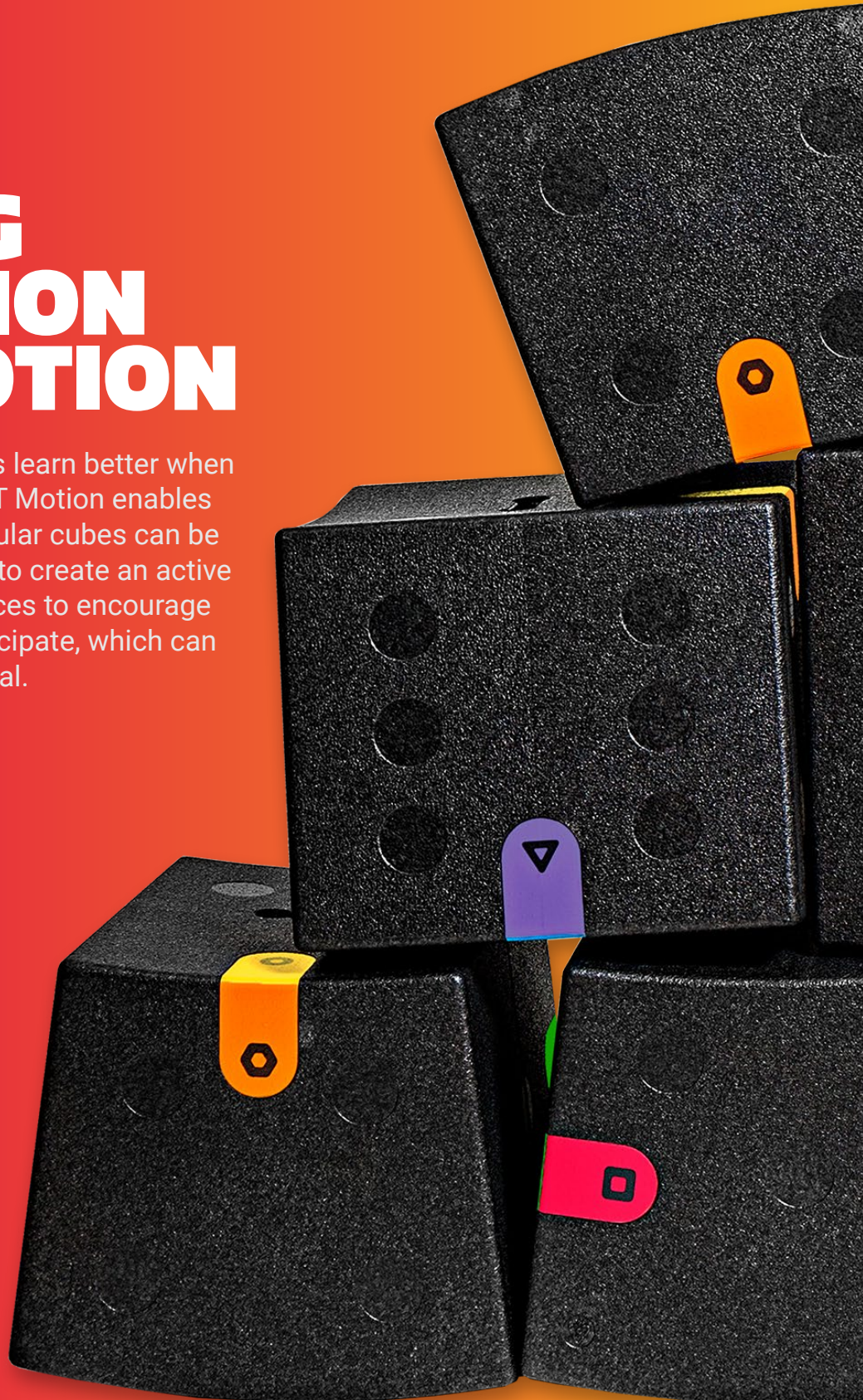


# PUTTING EDUCATION INTO MOTION

Research shows that students learn better when they are engaged. i3CONNECT Motion enables just that! These irregular modular cubes can be used to sit on, but most of all to create an active and flexible learning experiences to encourage your students to actively participate, which can be done both analog and digital.





## **FLEXIBLE DESIGN**

i3CONNECT Motion are lightweight irregular cubes with colours and symbols that can be used in various ways to enhance lessons.

They can for example be used in geometry, spelling games, or science lessons. They can even be used as chairs to promote active sitting and learning to create a flexible learning environment.

## **MOVEMENT MEETS LEARNING**

Several researches point out that after roughly 15 minutes of sitting still and listening, a student's mind starts to wander. That's why it is important to keep students engaged by making your lessons active and involving.

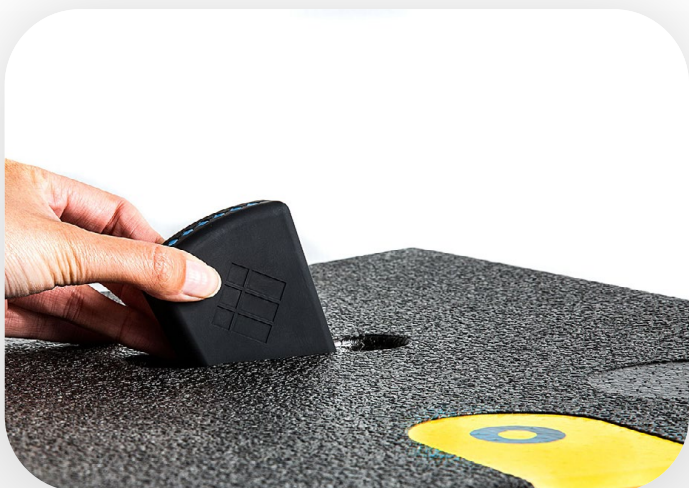
The Motion cubes invite students to stand up, move and use their problem-solving skills, individually or as a group. That means cooperation and social skills are also covered.



## **WANT MORE? GO DIGITAL!**

It can be quite time consuming to check each answer students gave individually, especially if there are a lot of students in your class. Why not let us help you and insert the optional Motion Detection Module in your Motion cubes.

This nifty device registers exactly on which side the cubes are rolled and gives a clear overview of the answers given by the entire class. This allows you to immediately explain the answer and move on to the next exercise without losing precious time.





## INSPIRATION FOR ANALOG USE OF i3CONNECT MOTION

You do not need the Motion Detection Module to use the i3CONNECT Motion to great effect. Some activity ideas to make good use of the cubes:



### **Movement based quizzes**

Each side of the cube can represent a different answer. Have students rotate the cube to the right answer and let them stand on it to lock in their answers.



### **Math or language challenges**

Put sticky notes containing different answers on each side of the cube. Students rotate the cube to the right answer.



### **Balance and coordination exercises**

Make lessons even more fun by turning the cubes into a true obstacle course. Students can stack or balance the cubes to train their fine motor skills and learn about concepts such as pattern recognition.



### **Create and copy building constructions**

We have designed 40 examples.



## ANALOG

### PRODUCT INFORMATION

<b>Model Name</b>	Motion cube
<b>Weight</b>	1,9 kg / piece

### WARRANTY

<b>Standard warranty</b>	3 years
--------------------------	---------

### ACCESSORIES

<b>Included</b>	Dot stickers
	Practice book "Embodied learning with Motion"
	Building cards
<b>Optional</b>	Receiver Antenna MRX2
	Motion MDM2

## PACKS

### MOTION CUBE AVAILABLE AS

- Single cube
- Set of 4
- Set of 12
- Set of 24
- Set of 32

### MOTION DETECTION MODULE (MDM2)

- 1 MDM
- Set of 4 (incl. Receiver Antenna MRX2)
- Set of 8 (incl. Receiver Antenna MRX2)
- Set of 12 (incl. Receiver Antenna MRX2)

### MOTION - STARTERS PACK

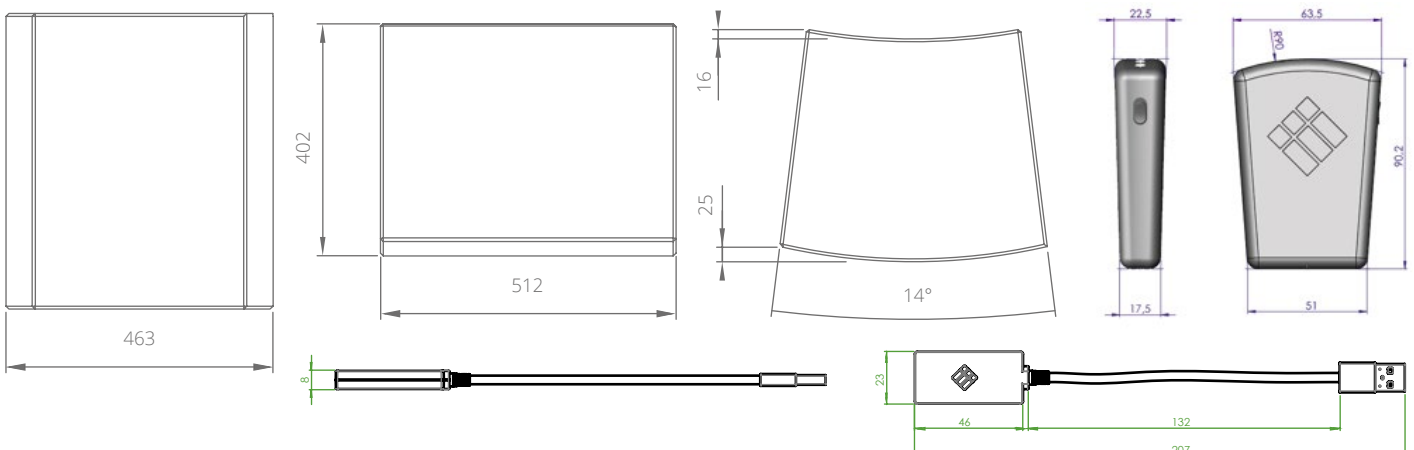
includes 4 Motion cubes,  
4 MDM2's  
and a Receiver Antenna MRX2

## DIGITAL

### MOTION DETECTION MODULE (MDM)

<b>Size</b>	90 x 63 x 21 mm
<b>Communication</b>	2.4GHz proprietary wireless protocol Connects to max. 64 MDM's
<b>Power</b>	USB Type C; DC 5V
<b>Battery</b>	Rechargeable LI-ION Battery 14500, 3.7V
<b>Comonents</b>	Motion Detection Module
<b>Minimum desktop requirements</b>	Operating system: Windows 10
	4GB RAM
	1GB free storage space
<b>Minimum Mac requirements</b>	OSX 12.7
	8GB RAM
	1GB free storage space

## TECHNICAL DRAWING





# ARE YOU READY TO PUT EDUCATION INTO MOTION?

## LET'S CONNECT

i3CONNECT HQ  
Kleine Schaluinweg 7  
3290 Diest, BELGIUM.  
[info@i3-connect.com](mailto:info@i3-connect.com)  
[www.i3-connect.com](http://www.i3-connect.com)

## CONTACT US

Ready for the next step? Go ahead: click that big button, fill in the form and we'll get in touch with you for a demo.